

YAKOS's responsibility is to provide customers with comprehensive solutions. Please let us know what you are looking for so that we can process your inquiry as quickly and efficiently as possible.

For more detailed information, please visit YAKOS website at www.yakos65.com



SAFZONE®



yakos  **TRIED & TRUSTED**

Biological Safety Cabinet | Flammable Safety Storage Cabinet | Zebrafish Housing System | Chemical Fume Hood | Radiopharmacy Safety Cabinet

Chung Fu Technical Development Co., Ltd.

No.33-1, Nanshih, Linkou Dist., New Taipei City 244, Taiwan
TEL: +886 2-2800 1781
FAX: +886 2-2800 8901
WEBSITE: www.yakos65.com
EMAIL: sales@yakos65.com

Biological Safety Cabinets

The First-rate Protection for Operators, Products and Environment





YAKOS 40 Years of Manufacturing Experience

SAFZONE® Biosafety Cabinet is a safety device to protect the operator, product and environment. It is designed to work with agents that require Biosafety Level 1 ~ 3 containment, such as biohazardous agents, nature microbial strains and clinical diagnostic inspection samples. It is made to meet the specific requirements of NSF49 and EN12469. SAFZONE® Biosafety Cabinet can help to avoid exposure to possible infectious aerosols and spills during the operation.

SAFZONE® Class II type A2 Biosafety Cabinets maintain negative pressure environments inside the cabinet to prevent the contaminants from escaping the work area to protect the operator. Approximately 70% of the room air is pressurized by the blower and forced through the supply HEPA filter prior to entering the work area, to protect the product. Finally, the remaining 30% of air is filtered through an exhaust HEPA filter. The sterile air finally exits the cabinet and is released back into the room to protect the environment.

As a trusted brand, YAKOS's products and services continue to be strictly regulated and our high quality manufacturing facilities have been specifically used for the development of BSC products. SAFZONE® Biosafety Cabinets undergo thorough quality testing before being released, to ensure consistent quality for your piece of mind.

Application for cell culture, pharmaceutical, clinical and microbiological work at:
Hospitals, Universities, Research Centers, Pharmaceutical Companies, Food Industries and other Biological / Life Science Laboratories.



Hospital



University



Research Center



Pharmaceutical



Biological labs

YAKOS is devoted to maintaining the highest standards and professional certifications attainable in the industry. SAFZONE® Biological Safety Cabinets have been designed, manufactured and tested to comply with the following standards and regulations to provide the highest level of protection for operator, product and environment when working at biosafety level 1, 2 and 3.

Biological Safety		NSF 49 (Class II type A2): Biosafety Cabinetry - Design, Construction, Performance and Field Certification.
		EN 12469 (Class II): Biotechnology – Performance criteria for microbiological safety cabinets.
Electrical, Mechanical, Fire and Personal Safety		IEC 61010-1: Safety requirements for electrical equipment for measurement, control, and laboratory use.
Air Cleanliness		ISO14644-1 (Class 4): Classification of air cleanliness by particle concentration.
HEPA Filters		EN1822: Classification of HEPA filters by retention at the given most penetrating particle size (MPPS).
Quality Management System		ISO 9001: Quality management system requirements for facilities, people, training, services and equipments.

Multiple Protection Design

HEPA Filter

The Class H14 (per EN1822), 99.99% efficiency at 0.3 microns for Supply and Exhaust HEPA filters are used on SAFZONE® Biosafety Cabinets to provide ISO Class 4 clean air to the work area and remove 0.3 micron particulates before exhausting to the environment.

Lighting

An average light intensity of more than 1,000 lux at the work surface. The lighting positioned outside the working area without disturbing the downflow and creating obstructions for cleaning. The fluorescent light will be activated automatically when the sash is open and turns off when the sash is fully closed.

Germicidal Ultraviolet Light

The UV light on SAFZONE® BSC is a standard feature that is designed to provide a minimum average intensity of 40 microwatts per cm² at the cabinet work surface. A safety interlock prevents operation of the UV light unless the window view screen is fully closed.

Work Area

SUS#304 Single-piece stainless steel liner and work tray. Radius corners make easier to clean the work area. Removable single-piece work tray can be easily removed for cleaning and collection of spilled liquid.

Adjustable Support Stand

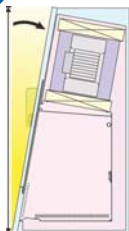
Fully assembled support stand with telescoping leg and leg levelers. The stand can be adjusted from 560~860 mm to meet the working height for each operator. Stand with brake casters is available for option.

※Please adjust the stand height first before installing the cabinet on the stand.



Key switch power

A security control to prevent operation by unauthorized person.



Ergonomic Design

Ergonomic 10 degrees angle window design. Coupling with adjustable stand allows more comfortable viewing and less fatigue of arms, shoulders and neck over long time use.

Easy Operation, Easy Maintenance, Easy Security

An external, adjustable, airtight Damper

Allows the certifier to regulate the balance of inflow and downflow.

ECM DC Motor

ECM DC motor provides energy-saving, accurate constant air flow, high efficiency and low maintenance characteristics. Automatically compensates for an increase in pressure drop due to filter loading without reducing the total air flow rate.

Advanced 7 inch Human Machine Interface Touch Screen

With a good graphic view for easy operation and function settings and continuous displays the cabinet's performance status.

Membrane Switches and Pressure Gauge Control Panel

Built-in UV light timer for 0~99 minutes / hours and negative plenum pressure gauge. Safety interlock device controls blower, fluorescent light and UV light on/off.

6mm Tempered Safety Glass Window Sash

UV resistant tempered safety glass. With high accuracy monitoring sensors, an audible and visual alarm activated when the sash is not at the specified operation height.

Surround Air Intake Grille

Unique surround air intake grille design contains all contaminated air inside the cabinet and drawn back to blower through the surround intake grilles including window side without safety dead end.



Paper Catch

The paper catch is located at the bottom of the rear return-air plenum. Acting as a protective screen preventing wipes and other materials from being drawn into the blower system.

Electrical Outlets / Sockets

Two kinds of optional electrical outlets mounted on the rear wall of SAFZONE® BSC to power instruments inside the work area. The outlets are rated at 5 amps and the circuit powering the outlets are protected by a self-resetting circuit breaker, which allows a total of 5 amps on all outlets. This helps protect the primary cabinet controls from inadvertent overloads of the cabinet outlets.



115V/60Hz
 North America (UL listed)



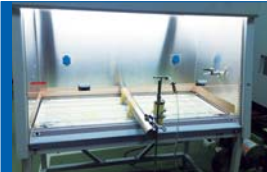
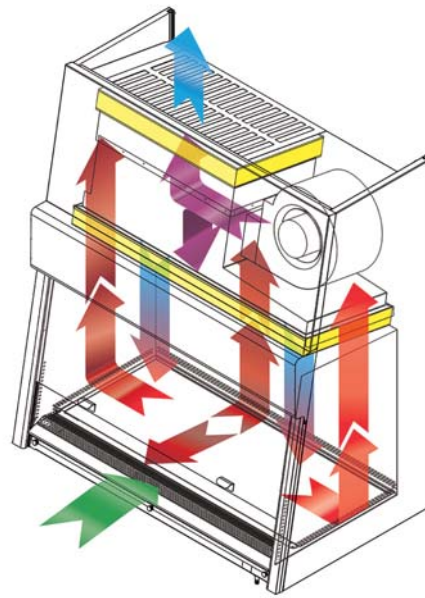
230V/50.60Hz
 Europe/Worldwide (CE Certified)



Maximum Protection for Operator, Product and Environment

Double-wall structure surrounded with negative pressure to fully prevent leakage of contaminated air in the event of damage to the cabinet external walls.

SAFZONE® Biosafety Cabinets create inflow to protect the operator, HEPA-filtered laminar downflow for product protection and exhaust air from cabinet through HEPA filter for environmental protection. SAFZONE® Biosafety Cabinets can prevent the aerosols generated during operation from harming the external environment or the operator itself and can also reduce cross-contamination between products due to aerosols.



Out of balance tests performed at ± 10 fpm nominal set points for both inflow and downflow, SAFZONE® Biosafety Cabinets still maintain an excellent enclosure for operator & product protection biological challenge tests as well as smoke patterns tests.



Surround air intake grille design—All contaminated air is isolated inside the cabinet to maximize the Biosafety Cabinet protective capabilities. It prevents aerosols, vapors and particulates escaping into the operator's environment from the front opening or window sash edges of cabinet.



Inward airflow of 0.51 m/s velocity to the open front for operator protection.



The Supply HEPA filter provides ISO Class 4 (per ISO14644.1) clean air to the work area in a gentle vertical laminar flow, for product protection.



QUALITY & PERFORMANCE GUARANTEE

A Factory Testing Report will be enclosed with each SAFZONE® Biosafety Cabinet. The following performance and safety tests being conducted before leaving the factory.

- Pressure decay test
- HEPA filter leak test
- Inflow velocity test
- Downflow velocity test
- Airflow smoke patterns test
- Lighting intensity test
- Vibration test
- Noise level test
- UV lighting intensity test
- Electrical safety test



GREEN POWER TECHNOLOGY

SAFZONE® Biosafety Cabinets apply the world's highest level ECM DC motors to provide energy savings and accurate constant air flow with high efficiency and low maintenance characteristics. The motor control automatically compensates for an increase in pressure drop across the filters due to filter loading without reducing the total air flow rate and ensuring the airflow at set point. This results in extending HEPA filter life and reducing the filter replacement and decontamination costs.



- Easy Installation & Service
- Moisture Resistant Design
- Ultra High Efficiency



ECM Brushless DC Motor

Key Benefits:

- Energy-saving: Constant air flow design adjusts air pressure automatically providing programmed air flow and extend HEPA filter life.
- Automatically compensates for an increase in pressure drop across the filters due to filter loading.
- High torque and superior efficiency.
- No manual motor speed control required.
- Less heat generated - The temperature raised inside the cabinet for 8 hrs ECM motor operation is less than 1°C.
- Stable motor output can withstand 6KV external surge circuit.



Night-idle Mode 30% motor speed output only

Whether you are on break, temporarily away from the cabinet or at home, the cabinet may be used in Night-Idle Mode. Upon sliding the sash to closing position, the smart speed control automatically reduces the motor speed to 30% at Night-Idle Mode. This ensures the cabinet at a sterile working situation and saves significant electricity costs and extends HEPA filter life. When the sash is opened, the motor automatically resumes normal operation mode.

CONTROL SYSTEM SELECTION

Modular electronic components and neat wiring layout applied on SAFZONE® Biosafety Cabinets to simplify the maintenance work. Electronic parts are easily accessible and easy to reach for the operator from the drop down control panel. Control systems and pipelines completely isolated from contaminated areas for convenient and safe maintenance.

7 Inch HMI Touch Screen



Advanced Human Machine Interface (HMI) Touch Screen mounted on SAFZONE® BSCs to provide user with a better graphic view for easy operation and function settings and continuously displays the cabinet's performance.

- High resolution LCD display visualizes operating, monitoring and efficient control in real time.
- The large 7 inch full color touch screen enables intuitive parameter entry and displays variable data, including trend graphs and alarm elements.
- User-friendly visual icons quickly creates users an "easy-to-navigate" to make operation more efficient.
- Display real time clock and date, inflow, downflow, negative plenum pressure, HEPA filter running hrs, UV lamp running hrs at the front page.
- Main functions include:
 - Automatic Pre-purge / Post-purge
 - Built-in timer for counting up and down, UV light
 - Safety interlock for window and UV light to protect the operator from UV irradiation
 - Audible and visual text alarms for the following abnormal situations:
 - High / Low inflow velocity
 - High / Low downflow velocity
 - Wrong window operation height
 - High negative plenum pressure
 - Usage time of HEPA filter exceeds the setting hour
 - Usage time of UV lamp exceeds the setting hour
 - Operation records including Inflow, Downflow and Pressure
 - Multi-language display setting
 - Two kind of unit display settings for air velocity and pressure



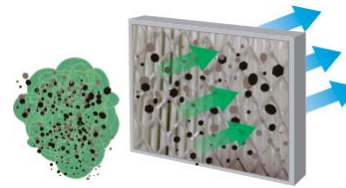
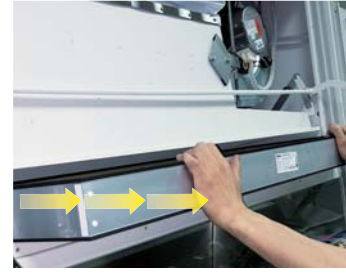
Easy access and maintenance for the service personnel

Membrane Switch Control Panel with Pressure Gauge



Membrane Switches are easy to use. Built-in UV light timer for 0-99 minutes / hours and negative plenum pressure gauge. Safety interlock device controls blower, fluorescent light and UV light on/off by window sash open and closed.

WINDOW ALARM	When the window is not at the operation height, it will release an audible and visual alarm automatically.
MUTE SWITCH	When the alarm is activated, it can be muted temporarily while the alarm light continues to flash. If the abnormal situation has not been settled, the cabinet alarm will be activated again within a set time (5 minutes) to alert the operator.
SAFETY INTERLOCK	When the window is opened, the blower and fluorescent light will be activated automatically and the UV light will be switched off. When the window is fully closed, the UV light will be re-activated automatically. The blower and fluorescent light will be switched off.
UV LIGHT TIMER	Built-in UV light timer for 0-99 minutes / hrs.
PRESSURE GAUGE	Displays the negative plenum pressure of the cabinet in the unit of mm Aq.



Patented Quick-Access HEPA Filter Replacement System

Filter replacement is no longer a hard work!!

Only one man and one minute to complete the filter changing without any tools!!

SAFZONE® patented innovative HEPA filter replacement system enables the filter changing safely, time-saving and manpower-saving. Without any tools, the filters can be replaced from the front side of the cabinet more easily and quickly than other brands.

The Class H14 (per EN1822) Supply and Exhaust HEPA filters are used on SAFZONE® BSCs. The HEPA filters consist of a continuous sheet of glass fibers pleated and mounted in a rigid aluminum frame (Aluminum extruded frame can increase strength and rigidity for corrosion resistance). With minimum 99.99% efficiency for 0.3 micrometers particulates (MPPS, the Most Penetrating Particle Size) creates a clean, sterile environment for operation zone and workplace. The efficiency will be more than 99.99% for particulates greater or smaller than 0.3 micrometers.

Key Features for HEPA filters on SAFZONE BSCs

1. Allow more 20-50% of air to flow through the HEPA filters than ULPA filters to maintain optimum cleanliness of operation zone.
2. Lower pressure drop/loss and longer filter life than ULPA. High pressure drop will cause more energy consumption and cost.
3. The removal efficiency increases for greater or smaller than 0.3 micrometers particulates.
4. Both the supply and exhaust HEPA filters are scan-tested and efficiency-tested after installation in the cabinet.
5. Provide cleanliness Class 10 air to the work area in a gentle vertical laminar flow for product protection and remove 0.3 micron particulates for environmental protection.

※ HEPA filters are not intended to filter chemicals, gasses or vapors. Since this cabinet is partially recirculating, there could be gaseous buildup if gases or vapors are used. Misuse of chemicals, Bunsen burners, or a heavy dust load will shorten the filter's life.



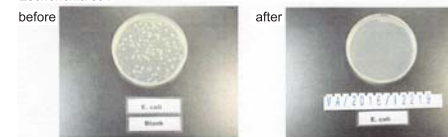
VIRO-CUT™ Antibacterial Stainless Steel

SAFZONE® VIRO-CUT™ Antibacterial Stainless Steel is the first industry application on Biosafety Cabinet products. It is used as the liners and work surface for the work area of SAFZONE® Biosafety Cabinets. JIS Z 2801 testing standard is performed to evaluate the antibacterial effectiveness of VIRO-CUT™ Stainless Steel.

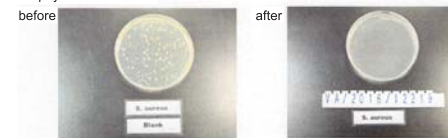
JIS Z 2801 is one of the most commonly requested life-related processed products in the world, quick and reliable antibacterial surface tests for antibacterial activity and efficacy. JIS Z 2801 standards measure the growth that may occur after a material is inoculated by two common bacteria, Escherichia coli and Staphylococcus aureus for 24 hours.

VIRO-CUT™ Stainless Steel is a SUS#304 alloy with antibacterial element, which is evenly distributed from the surface to the inside of the steel. This results in efficient contact cleaning for the exposure of bacteria to stainless steel surfaces.

Escherichia coli



Staphylococcus aureus



The Benefits for VIRO-CUT™ Stainless Steel Include:

- No possibility of exfoliation of antibacterial layer.
- No reduction of antibacterial activity due to wear.
- Retain the properties of stainless steel, such as corrosion-resistance, hardness and easy to clean.

VIRO-CUT™ Stainless Steel performance results are available upon request.

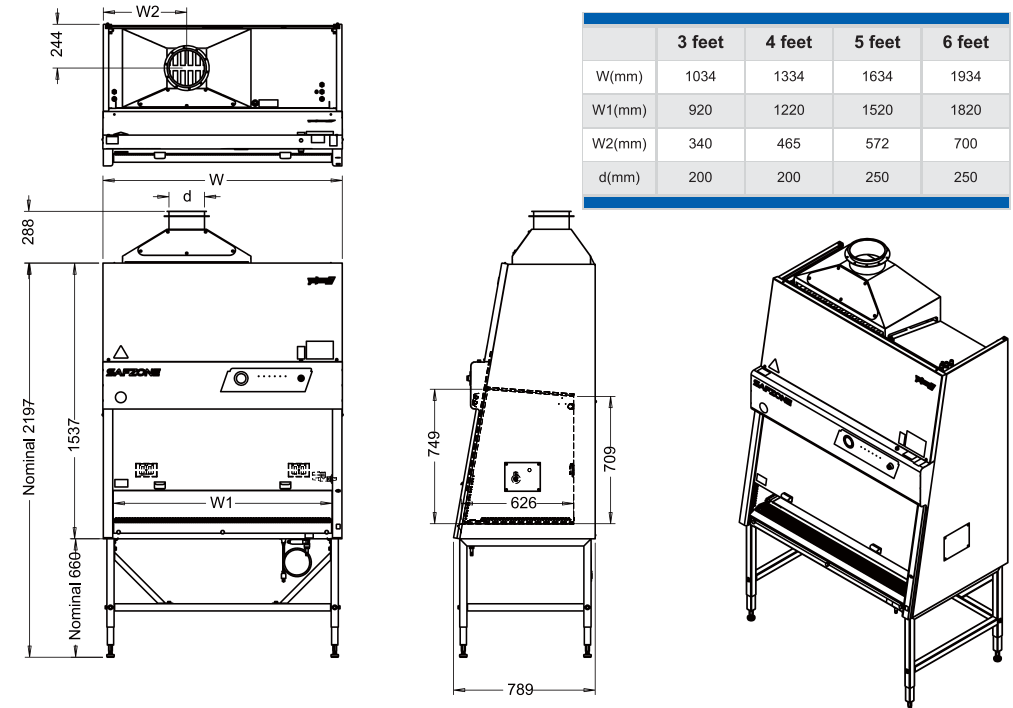
JIS Z 2801 testing results for VIRO-CUT™ Stainless Steel



Specification					
Model	3 feet	4 feet	5 feet	6 feet	
International Certification	• EN 12469 • ISO 9001:2015	• NSF 49 (25cm) • EN 12469 • ISO 9001:2015	• EN 12469 • ISO 9001:2015	• EN 12469 • ISO 9001:2015	
External Dimensions W×D×H (without support stand 660 mm)	1034×789×1537 mm	1334×789×1537 mm	1634×789×1537 mm	1934×789×1537 mm	
Internal Dimensions W×D×H	920×626×709 mm	1220×626×709 mm	1520×626×709 mm	1820×626×709 mm	
Cabinet Main Construction	<ul style="list-style-type: none"> Working area: Stainless Steel#304 (Option: Viro-cut stainless steel, SUS#316) External construction: Cold-rolled steel with powder coating finish 				
Air Flow	70% re-circulated / 30% exhausted				
Window Operation Height	20 cm, 25 cm				
Avg. Inflow Velocity	0.51 m/s				
Avg. Downflow Velocity	0.325 m/s	0.30 m/s	0.30 m/s	0.30 m/s	
Exhaust Air Volume with Exhaust Canopy	9m³/min (20cm) 10m³/min (25cm)	11m³/min (20cm) 13m³/min (25cm)	14m³/min (20cm) 16m³/min (25cm)	17m³/min (20cm) 19m³/min (25cm)	
Supply/Exhaust HEPA Filter	99.99% @0.3 micron (Class H14)				
Light Intensity	> 1,000 lux				
Sound Level	< 55dBA (20cm) < 58dBA (25cm)	< 57dBA (20cm) < 63dBA (25cm)	< 59dBA (20cm) < 62dBA (25cm)	< 61dBA (20cm) < 62dBA (25cm)	
UV Lamp	254 nm/ FL 20W×1	254 nm/ FL 30W×1	254 nm/ FL 40W×1	254 nm/ FL 20W×2	
Fluorescent Lamp	T5/21W×2	T5/28W×2	T5/35W×2	T5/21W×4	
Window Glass	6mm tempered glass				
Electrical Outlets	North America (UL Listed), Europe/Worldwide (CE Certified)				
Optional Accessories	<ul style="list-style-type: none"> IV bar with 6 hooks / hanging basket Service valves(air, gas, vacuum) , CSA Certified Exhaust canopy Brake casters Moveable elbow / arm rest 				
Room Height Suggested	227cm at least				
Power	115V / 15A				
Consumption	230V / 10A 100V / 15A	185W (20cm) 220W (25cm)	230W (20cm) 300W (25cm)	380W (20cm) 400W (25cm)	430W (20cm) 490W (25cm)
Net Weight	210 kg	240 kg	280 kg	320 kg	
Shipping Weight	240 kg	280 kg	320 kg	370 kg	
Shipping Dimensions W×D×H	1100×850×1950±30mm	1400×850×1950±30mm	1700×850×1950±30mm	2000×850×1950±30mm	


Ordering Guide — Model Number					
Cabinet Model	3 feet	4 feet	5 feet	6 feet	Window Position
Touch Screen / 115V,60Hz	AHA-103-AA-A	AHA-133-AA-A	AHA-163-AA-A	AHA-193-AA-A	20 cm
	AHA-103-AA-B	AHA-133-AA-B	AHA-163-AA-B	AHA-193-AA-B	25 cm
Touch Screen / 230V,50/60Hz	AHA-103-AB-A	AHA-133-AB-A	AHA-163-AB-A	AHA-193-AB-A	20 cm
	AHA-103-AB-B	AHA-133-AB-B	AHA-163-AB-B	AHA-193-AB-B	25 cm
Touch Screen / 100V, 50/60Hz	AHA-103-AC-A	AHA-133-AC-A	AHA-163-AC-A	AHA-193-AC-A	20 cm
	AHA-103-AC-B	AHA-133-AC-B	AHA-163-AC-B	AHA-193-AC-B	25 cm
Membrane Switch / 115V,60Hz	AHA-103-CA-A	AHA-133-CA-A	AHA-163-CA-A	AHA-193-CA-A	20 cm
	AHA-103-CA-B	AHA-133-CA-B	AHA-163-CA-B	AHA-193-CA-B	25 cm
Membrane Switch / 230V,50/60Hz	AHA-103-CB-A	AHA-133-CB-A	AHA-163-CB-A	AHA-193-CB-A	20 cm
	AHA-103-CB-B	AHA-133-CB-B	AHA-163-CB-B	AHA-193-CB-B	25 cm
Membrane Switch / 100V, 50/60Hz	AHA-103-CC-A	AHA-133-CC-A	AHA-163-CC-A	AHA-193-CC-A	20 cm
	AHA-103-CC-B	AHA-133-CC-B	AHA-163-CC-B	AHA-193-CC-B	25 cm

Cabinet Dimension Drawings



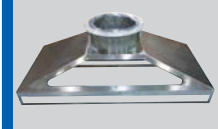
	3 feet	4 feet	5 feet	6 feet
W(mm)	1034	1334	1634	1934
W1(mm)	920	1220	1520	1820
W2(mm)	340	465	572	700
d(mm)	200	200	250	250

Quality Components & Accessories




IV Bar & Hanging Basket

The cabinet can be equipped with an SUS#304 Intravenous (IV) Bar and Basket to facilitate the hanging of required materials.




Exhaust Canopy

SUS#304 Canopy provides air gaps on 4 sides to allow air to enter the ductwork and mix with the filtered exhaust air released into the atmosphere. It expands the use of SAFZONE® Class II type A2 BSCs to work with small amounts of volatile chemicals and radionuclides adjunct to microbiological studies.



Moveable Elbow / Arm Rest

The SUS#304 Moveable Elbow / Arm Rests (set of two) provide ergonomic forearm support, comfortable working posture and prevent grille blocking.



Brake Casters

Available with a set (4) of 4" diameter, toe-locking polypropylene casters with bearings. Loading capacity for each caster is 140 kg. The casters can be directly installed on the telescoping support stand.

SafetyStar®

FLAMMABLES SAFETY CABINET

The widest used safety storage cabinets for industries and laboratories in the world.



ISO 9001



yakos

CHUNG FU TECHNICAL DEVELOPMENT CO., LTD

No.33-1, NanShih, LinKou Dist., New Taipei City 244, Taiwan

TEL: +886 2 2600 1761 & FAX: +886 2 2600 6801

EMAIL: sales@yakos65.com

www.yakos65.com

www.chungfu.com.tw

Biological Safety Cabinet | Flammables Safety Storage Cabinet | Zebrafish Housing System | Chemical Fume Hood

©2018 V.01 Chung Fu Technical Development Co., Ltd.

yakos

TRIED & TRUSTED



- ▶ PROVIDES WORKERS AND ENVIRONMENT OPTIMUM SAFETY AND QUALITY ASSURANCE.
- ▶ PROVIDES MAXIMUM HUMAN LIFE AND PROPERTY PROTECTION.
- ▶ PREVENTS EXPLOSION, EXTENSION OF A FIRE.

YAKOS65™ is devoted to maintain the highest standards and professional certifications attainable in the industry. YAKOS65™ Flammables Safety Cabinets have been designed, manufactured and tested to comply with the following standards and certification.



Flammable Safety (Product Quality, Technical Integrity and Performance Testing and Certification):

FM Approvals Standard 6050: "Storage Cabinets for Ignitable (Flammable) Liquids". FM Approvals is an international leader in third-party testing and certification services for global industrial and commercial products. It is specified as the National Accreditation Laboratory (NRTL) in the United States Occupational Safety and Health Administration (OSHA). It is also recognized by the American National Standards Institute (ANSI) as a standard-setting body.



Fire Protection for Human Life and Property:

NFPA 30 section 6.3: "Design, Construction, and Capacity of Storage Cabinets". NFPA, The National Fire Protection Association, has long been the world's most recognized nonprofit organization dedicated to the protection of human life and property from the hazards of fire.



Safe and Healthful Working Conditions for Working Men and Women:

OSHA 29 CFR 1910.106(d)(3): "Design, Construction, and Capacity of Storage Cabinets". OSHA, The Occupational Safety and Health Administration, it's mission is to assure safe and healthful working conditions for working men and women by setting and enforcing standards and by providing training, outreach, education and assistance.



Quality Management System for Design and Manufacture of Flammables Safety Cabinets:

ISO 9001-2015: Quality management system requirements for facilities, people, training, services and equipments.

▶ **YAKOS65, A 40 Years Experience Manufacturer**

QUALITY

Quality is in our nature. All SafetyStar series Flammables Safety Cabinets are FM Approvals approved by the highest standards. For a product with FM Approvals approved, it represents quality excellence and guarantee over fire prevention, work safety and environmental protection. FM Approvals has been a trusted source of property loss prevention product evaluation for more than a century.

SATISFACTION

YAKOS65 manufactures the widest range of Flammables Safety Cabinets for a variety of stored media. The capacity for SafetyStar Flammables Safety Cabinets is from 4 gallon to 90 gallon. Three kinds of door, Single Door, Double Door and Sliding Door. Two door-closing types, Manual-closing and Self-closing. Six color options, Yellow, Red, Blue, Green, Grey and White. SafetyStar Flammables Safety Cabinets are ideal for use in Industry, Hospital, Electronics and Semiconductors, Laboratories, Stores, Warehouses and anywhere where hazardous materials need to be stored safely and securely.

ACTIVE

One of YAKOS65's top priorities is to provide our customers with a fast, flexible and cost-effective supply of our products wherever they are required. With more than 70 overseas partners and distributors, YAKOS65's product and service have successfully been expanding to over 30 countries. The ever-growing sales network offers seamless-service to our customers directly to anticipate and respond to local market needs.



All SafetyStar® series Flammables Safety Cabinets are FM Approved and comply with NFPA and OSHA regulations.

FM Approval is a symbol of quality excellence, a guarantee over fire prevention, work safety and environmental protection.

YAKOS65™ SafetyStar® is the first Asian Flammables Safety Cabinet certified by FM Approvals. YAKOS65™ meets its clients' highest quality requirements by implementing the most stringent international testing standard to enhance workplace safety. YAKOS65™ believes that a safe working environment is the only way forward.

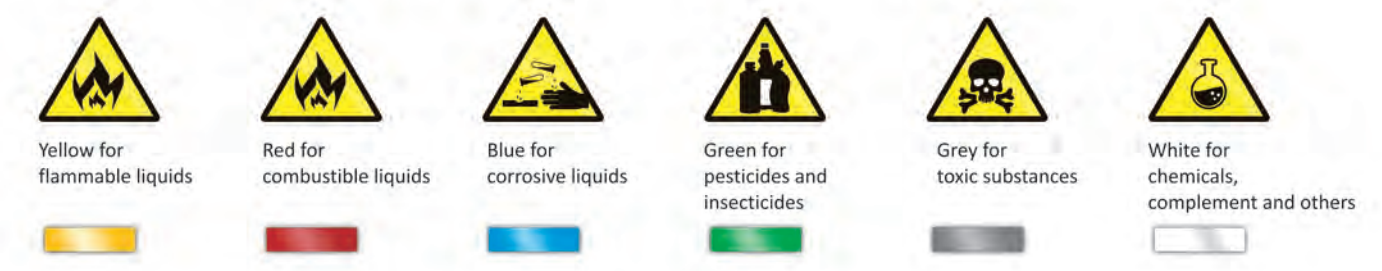


The First ASIAN Flammables Safety Cabinets Manufacturer Approved by FM.

YAKOS65™ provides a variety of colors of safety cabinet. Use colors and labels to segregate the stored items for easy identification and organization. It also helps the fireman quickly recognize hazards in the event of a fire.

The followings are the cabinet color direction for storing chemicals according to industry customary.

MORE COLORS, MORE SATISFACTION

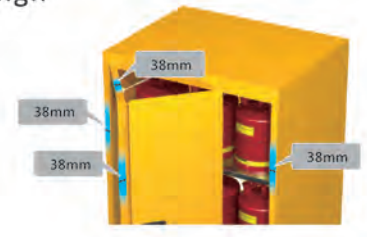


Safety Comes from SafetyStar® Foresight Design and State of Art Technology

Safety comes from YAKOS65's insist on quality. All SafetyStar® safety cabinets are FM Approvals certified including the following safety design and features.

CABINET CONSTRUCTION

Double-wall cabinet construction with heavy-duty steel and 38mm air space efficiently isolates from combustion.



STEEL PIANO HINGE
1.2mm steel continuous piano hinge provides smooth closure, reliable and durable use.



DOOR CORNERS
Rounded corners avoid potential hand injury.



PADDLE HANDLE LATCH
Eliminates projecting obstacles. Easy open and close.



3-POINT LOCK
Non-sparking, 3-point linked latching device provides better security.



DUAL VENTS
Dual vents with flame arrester placed on both sides of the cabinets.



FLAME ARRESTER
To prevent exterior flame to enter the cabinet body and to prevent flame flees out from the safety cabinet.



GROUND WIRE
Able to guide static electricity to the ground, avoiding explosion caused by sparks.



LARGE WARNING LABEL

GALVANIZED STEEL SHELF



LEAK-TIGHT SUMP
2 inch deep leak-tight containment sump for accidental drips and spills.



LEVELERS
4 full steel adjustable levelers installed in base for stability.

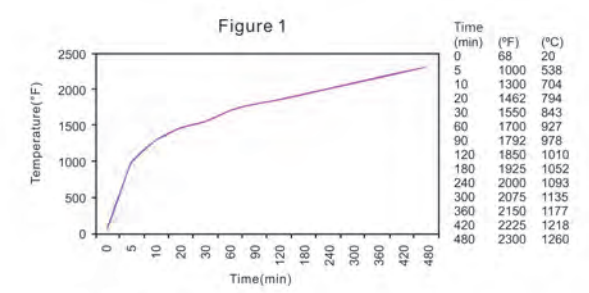
For Fire Prevention, Work Safety, Environmental Protection. Reduces Your Industrial Safety Risks Once and for All.



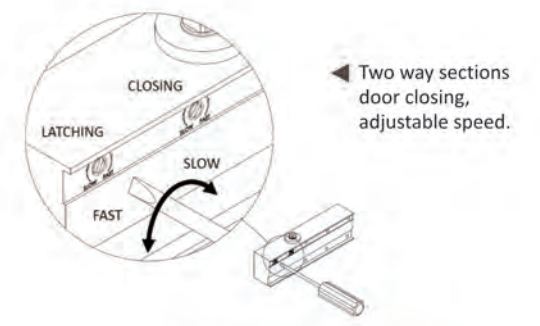
▲ Easy to store items. Both manual and self-closing doors can be fully opened to 180°.



FM Approved logo Large "FLAMMABLES – KEEP FIRE AWAY" letter



▲ Fire Exposure Test - ASTM E152 Time-Temperature Curve.



▲ Two way sections door closing, adjustable speed.

MANUAL-CLOSING DOOR

- Economical and practical type.
- Three cabinet styles: single-door cabinets, double-door cabinets and sliding-door cabinets.
- Non-sparking, 3-point linked latching device provides superior security.



SELF-CLOSING DOOR

- Three cabinet styles: single-door cabinets, double-door cabinets and sliding-door cabinets.
- Built-in thermal-sensitive device releases and closes door automatically if the cabinet is exposed at 74°C.
- Non-sparking, 3-point linked latching device provides superior security. Two way sections door closing, adjustable speed.
- When door opening angle is smaller than 85 degree, the door will automatically close.(sliding-door cabinets excluded)
- When door opening angle is greater than 90 degree, the door will stay open at its position.(sliding-door cabinets excluded)



▲ Actual fire exposure testing photo for safety cabinet conducted by FM.



▲ Adjustable galvanized steel shelves with at least 120kg loading capacity. Front and rear quick safety latch with closely integrated shelves and support frame reduces risks of collision.

Safety Cabinets for Flammable Liquid

Suitable for flammable liquids such as Ether, Heptane, Acetone, Ethanol, Gasoline, Methanol, Toluene etc.



- FM Approvals certified, comply with NFPA & OSHA regulations.
- Heavy-duty steel construction.
- Lead-free epoxy powder coating finish.
- Double wall construction with 38mm air space efficiently isolates from combustion.
- Galvanized steel shelves.
- 3-point self-latching doors with all non-spark latching.
- Paddle handle locking latch.
- 1.2mm cold-rolled continuous piano hinge.
- Adjustable zinc plated leveling feet.
- Dual 2" vents with caps and flame arrester placed at both side of cabinets.
- Large warning label.
- Static grounding wire (UL listed).
- 2 inch deep leak-tight containment sump.



Capacity gallon	Ext. Dim. W*D*H mm	Int. Dim. W*D*H mm	No. of Shelves	Door Type	Order No.	Approval	Compliance
4	435*435*630	352*352*483	1	Single door/manual close	M1004Y-R	FM	NFPA, OSHA
				Single door/self close	S1004Y-R		
12	595*460*960	512*377*813	1	Single door/manual close	M1012Y-R	FM	NFPA, OSHA
				Single door/self close	S1012Y-R		
15	595*460*1190	512*377*1043	1	Single door/manual close	M1015Y-R	FM	NFPA, OSHA
				Single door/self close	S1015Y-R		
22	595*460*1720	512*377*1573	3	Single door/manual close	M1022Y-R	FM	NFPA, OSHA
				Single door/self close	S1022Y-R		
54	595*860*1720	512*777*1573	3	Single door/manual close	M1054Y-R	FM	NFPA, OSHA
				Single door/self close	S1054Y-R		
30	1090*460*1190	1007*377*1043	1	Double door/manual close	M2030Y	FM	NFPA, OSHA
				Double door/self close	S2030Y		
45	1090*460*1720	1007*377*1573	2	Double door/manual close	M2045Y	FM	NFPA, OSHA
				Double door/self close	S2045Y		
60	860*860*1720	777*777*1573	2	Double door/manual close	M2060Y	FM	NFPA, OSHA
				Double door/self close	S2060Y		
90	1090*860*1720	1007*777*1573	2	Double door/manual close	M2090Y	FM	NFPA, OSHA
				Double door/self close	S2090Y		

※Sliding door cabinets are available, if needed, please contact your local sales representative for detail.
 ※Extra steel shelves can be ordered.

Safety Cabinets for Combustible Liquid

Suitable for combustible liquids such as Diesel oil, Fuel oil, Kerosene, Oil, Mineral oil, Ethylene glycol, Glycerol etc.



- FM Approvals certified, comply with NFPA & OSHA regulations.
- Heavy-duty steel construction.
- Lead-free epoxy powder coating finish.
- Double wall construction with 38mm air space efficiently isolates from combustion.
- Galvanized steel shelves.
- 3-point self-latching doors with all non-spark latching.
- Paddle handle locking latch.
- 1.2mm cold-rolled continuous piano hinge.
- Adjustable zinc plated leveling feet.
- Dual 2" vents with caps and flame arrester placed at both side of cabinets.
- Large warning label.
- Static grounding wire (UL listed).
- 2 inch deep leak-tight containment sump.



Capacity gallon	Ext. Dim. W*D*H mm	Int. Dim. W*D*H mm	No. of Shelves	Door Type	Order No.	Approval	Compliance
4	435*435*630	352*352*483	1	Single door/manual close	M1004R-R	FM	NFPA, OSHA
				Single door/self close	S1004R-R		
12	595*460*960	512*377*813	1	Single door/manual close	M1012R-R	FM	NFPA, OSHA
				Single door/self close	S1012R-R		
15	595*460*1190	512*377*1043	1	Single door/manual close	M1015R-R	FM	NFPA, OSHA
				Single door/self close	S1015R-R		
22	595*460*1720	512*377*1573	3	Single door/manual close	M1022R-R	FM	NFPA, OSHA
				Single door/self close	S1022R-R		
54	595*860*1720	512*777*1573	3	Single door/manual close	M1054R-R	FM	NFPA, OSHA
				Single door/self close	S1054R-R		
30	1090*460*1190	1007*377*1043	1	Double door/manual close	M2030R	FM	NFPA, OSHA
				Double door/self close	S2030R		
45	1090*460*1720	1007*377*1573	2	Double door/manual close	M2045R	FM	NFPA, OSHA
				Double door/self close	S2045R		
60	860*860*1720	777*777*1573	2	Double door/manual close	M2060R	FM	NFPA, OSHA
				Double door/self close	S2060R		
90	1090*860*1720	1007*777*1573	2	Double door/manual close	M2090R	FM	NFPA, OSHA
				Double door/self close	S2090R		

※Sliding door cabinets are available, if needed, please contact your local sales representative for detail.
 ※Extra steel shelves can be ordered.

Safety Cabinets for Corrosives

Suitable for weak corrosive liquid such as Formic acid, Acetic acid, Phosphoric acid, Nitrous acid and Benzoic acid etc.

※ Steel cabinets are suitable for storing weak corrosive chemicals, not recommended for the storage of strong acids such as sulfuric, hydrochloric, nitric and perchloric.



- FM Approvals certified, comply with NFPA & OSHA regulations.
- Heavy-duty steel construction.
- Lead-free epoxy powder coating finish.
- Double wall construction with 38mm air space efficiently isolates from combustion.
- Galvanized steel shelves.
- 3-point self-latching doors with all non-spark latching.
- Paddle handle locking latch.
- 1.2mm cold-rolled continuous piano hinge.
- Adjustable zinc plated leveling feet.
- Dual 2" vents with caps and flame arrester placed at both side of cabinets.
- Large warning label.
- Static grounding wire (UL listed).
- 2 inch deep leak-tight containment sump.
- Include PP trays on shelf and the bottom of the cabinet to contain spills for extra corrosion protection.



Capacity gallon	Ext. Dim. W*D*H mm	Int. Dim. W*D*H mm	No. of Shelves	Door Type	Order No.	Approval	Compliance
4	435*435*630	352*352*483	1	Single door/manual close	M1004B-R	FM	NFPA, OSHA
				Single door/self close	S1004B-R		
12	595*460*960	512*377*813	1	Single door/manual close	M1012B-R	FM	NFPA, OSHA
				Single door/self close	S1012B-R		
15	595*460*1190	512*377*1043	1	Single door/manual close	M1015B-R	FM	NFPA, OSHA
				Single door/self close	S1015B-R		
22	595*460*1720	512*377*1573	3	Single door/manual close	M1022B-R	FM	NFPA, OSHA
				Single door/self close	S1022B-R		
54	595*860*1720	512*777*1573	3	Single door/manual close	M1054B-R	FM	NFPA, OSHA
				Single door/self close	S1054B-R		
30	1090*460*1190	1007*377*1043	1	Double door/manual close	M2030B	FM	NFPA, OSHA
				Double door/self close	S2030B		
45	1090*460*1720	1007*377*1573	2	Double door/manual close	M2045B	FM	NFPA, OSHA
				Double door/self close	S2045B		
60	860*860*1720	777*777*1573	2	Double door/manual close	M2060B	FM	NFPA, OSHA
				Double door/self close	S2060B		
90	1090*860*1720	1007*777*1573	2	Double door/manual close	M2090B	FM	NFPA, OSHA
				Double door/self close	S2090B		

※Sliding door cabinets are available, if needed, please contact your local sales representative for detail.
 ※Extra steel shelves and PP trays can be ordered.

Safety Cabinets for Pesticides

Suitable for pesticides such as herbicide, Insecticides, Fungicides, Rodenticides, Fungicides and Disinfectants etc.



- FM Approvals certified, comply with NFPA & OSHA regulations.
- Heavy-duty steel construction.
- Lead-free epoxy powder coating finish.
- Double wall construction with 38mm air space efficiently isolates from combustion.
- Galvanized steel shelves.
- 3-point self-latching doors with all non-spark latching.
- Paddle handle locking latch.
- 1.2mm cold-rolled continuous piano hinge.
- Adjustable zinc plated leveling feet.
- Dual 2" vents with caps and flame arrester placed at both side of cabinets.
- Large warning label.
- Static grounding wire (UL listed).
- 2 inch deep leak-tight containment sump.



Capacity gallon	Ext. Dim. W*D*H mm	Int. Dim. W*D*H mm	No. of Shelves	Door Type	Order No.	Approval	Compliance
4	435*435*630	352*352*483	1	Single door/manual close	M1004GN-R	FM	NFPA, OSHA
				Single door/self close	S1004GN-R		
12	595*460*960	512*377*813	1	Single door/manual close	M1012GN-R	FM	NFPA, OSHA
				Single door/self close	S1012GN-R		
15	595*460*1190	512*377*1043	1	Single door/manual close	M1015GN-R	FM	NFPA, OSHA
				Single door/self close	S1015GN-R		
22	595*460*1720	512*377*1573	3	Single door/manual close	M1022GN-R	FM	NFPA, OSHA
				Single door/self close	S1022GN-R		
54	595*860*1720	512*777*1573	3	Single door/manual close	M1054GN-R	FM	NFPA, OSHA
				Single door/self close	S1054GN-R		
30	1090*460*1190	1007*377*1043	1	Double door/manual close	M2030GN	FM	NFPA, OSHA
				Double door/self close	S2030GN		
45	1090*460*1720	1007*377*1573	2	Double door/manual close	M2045GN	FM	NFPA, OSHA
				Double door/self close	S2045GN		
60	860*860*1720	777*777*1573	2	Double door/manual close	M2060GN	FM	NFPA, OSHA
				Double door/self close	S2060GN		
90	1090*860*1720	1007*777*1573	2	Double door/manual close	M2090GN	FM	NFPA, OSHA
				Double door/self close	S2090GN		

※Sliding door cabinets are available, if needed, please contact your local sales representative for detail.
 ※Extra steel shelves can be ordered.

Safety Cabinets for Class 6 Toxic Substances

All toxic substances safety cabinets are designed to comply with Australian Standard AS4452. Suitable for pesticides such as Cyanides, Lead compounds, Phenol and Cresols etc.

※ Class 6 Toxic Substances (AS4452-1997)
Substances liable either to cause death or serious injury or to harm human health if swallowed or inhaled or by skin contact.



- FM Approvals certified, comply with NFPA & OSHA regulations.
- Heavy-duty steel construction.
- Lead-free epoxy powder coating finish.
- Double wall construction with 38mm air space efficiently isolates from combustion.
- Galvanized steel shelves.
- 3-point self-latching doors with all non-spark latching.
- Paddle handle locking latch.
- 1.2mm cold-rolled continuous piano hinge.
- Adjustable zinc plated leveling feet.
- Dual 2" vents with caps and flame arrester placed at both side of cabinets.
- Large warning label.
- Static grounding wire (UL listed).
- 2 inch deep leak-tight containment sump.



Vent-Filtration Box for safety cabinets. Easy installation on the top of cabinets to effectively remove the vapor inside the cabinets by filtration.

Capacity gallon	Ext. Dim. W*D*H mm	Int. Dim. W*D*H mm	No. of Shelves	Door Type	Order No.	Approval	Compliance
4	435*435*630	352*352*483	1	Single door/manual close	M1004GY-R	FM	NFPA, OSHA
				Single door/self close	S1004GY-R		
12	595*460*960	512*377*813	1	Single door/manual close	M1012GY-R	FM	NFPA, OSHA
				Single door/self close	S1012GY-R		
15	595*460*1190	512*377*1043	1	Single door/manual close	M1015GY-R	FM	NFPA, OSHA
				Single door/self close	S1015GY-R		
22	595*460*1720	512*377*1573	3	Single door/manual close	M1022GY-R	FM	NFPA, OSHA
				Single door/self close	S1022GY-R		
54	595*860*1720	512*777*1573	3	Single door/manual close	M1054GY-R	FM	NFPA, OSHA
				Single door/self close	S1054GY-R		
30	1090*460*1190	1007*377*1043	1	Double door/manual close	M2030GY	FM	NFPA, OSHA
				Double door/self close	S2030GY		
45	1090*460*1720	1007*377*1573	2	Double door/manual close	M2045GY	FM	NFPA, OSHA
				Double door/self close	S2045GY		
60	860*860*1720	777*777*1573	2	Double door/manual close	M2060GY	FM	NFPA, OSHA
				Double door/self close	S2060GY		
90	1090*860*1720	1007*777*1573	2	Double door/manual close	M2090GY	FM	NFPA, OSHA
				Double door/self close	S2090GY		

※Sliding door cabinets are available, if needed, please contact your local sales representative for detail.
※Extra steel shelves can be ordered.

Safety Cabinets for Chemicals

For general safe chemical storage purpose. Locked cabinet that serves as an ideal solution for locking up and classifying your chemicals.



- FM Approvals certified, comply with NFPA & OSHA regulations.
- Heavy-duty steel construction.
- Lead-free epoxy powder coating finish.
- Double wall construction with 38mm air space efficiently isolates from combustion.
- Galvanized steel shelves.
- 3-point self-latching doors with all non-spark latching.
- Paddle handle locking latch.
- 1.2mm cold-rolled continuous piano hinge.
- Adjustable zinc plated leveling feet.
- Dual 2" vents with caps and flame arrester placed at both side of cabinets.
- Large warning label.
- Static grounding wire (UL listed).
- 2 inch deep leak-tight containment sump.



Vent-Filtration Box for safety cabinets. Easy installation on the top of cabinets to effectively remove the vapor inside the cabinets by filtration.

Capacity gallon	Ext. Dim. W*D*H mm	Int. Dim. W*D*H mm	No. of Shelves	Door Type	Order No.	Approval	Compliance
4	435*435*630	352*352*483	1	Single door/manual close	M1004W-R	FM	NFPA, OSHA
				Single door/self close	S1004W-R		
12	595*460*960	512*377*813	1	Single door/manual close	M1012W-R	FM	NFPA, OSHA
				Single door/self close	S1012W-R		
15	595*460*1190	512*377*1043	1	Single door/manual close	M1015W-R	FM	NFPA, OSHA
				Single door/self close	S1015W-R		
22	595*460*1720	512*377*1573	3	Single door/manual close	M1022W-R	FM	NFPA, OSHA
				Single door/self close	S1022W-R		
54	595*860*1720	512*777*1573	3	Single door/manual close	M1054W-R	FM	NFPA, OSHA
				Single door/self close	S1054W-R		
30	1090*460*1190	1007*377*1043	1	Double door/manual close	M2030W	FM	NFPA, OSHA
				Double door/self close	S2030W		
45	1090*460*1720	1007*377*1573	2	Double door/manual close	M2045W	FM	NFPA, OSHA
				Double door/self close	S2045W		
60	860*860*1720	777*777*1573	2	Double door/manual close	M2060W	FM	NFPA, OSHA
				Double door/self close	S2060W		
90	1090*860*1720	1007*777*1573	2	Double door/manual close	M2090W	FM	NFPA, OSHA
				Double door/self close	S2090W		

※Sliding door cabinets are available, if needed, please contact your local sales representative for detail.
※Extra steel shelves can be ordered.

Undercounter Safety Cabinets

Can be installed under work desks, laboratory tables and chemical fume hoods. Provides space-saving characteristics and offers convenient access to goods.



22 gallon



7 gallon



10 gallon



11 gallon

- FM Approvals certified, comply with NFPA & OSHA regulations.
- Heavy-duty steel construction.
- Lead-free epoxy powder coating finish.
- Double wall construction with 38mm air space efficiently isolates from combustion.
- Galvanized steel shelves.
- 3-point self-latching doors with all non-spark latching.
- Paddle handle locking latch.
- 1.2mm cold-rolled continuous piano hinge.
- Adjustable zinc plated leveling feet.
- Dual 2" vents with caps and flame arrester placed at both side of cabinets.
- Large warning label.
- Static grounding wire (UL listed).
- 2 inch deep leak-tight containment sump.
- Option: red and blue colors.



Capacity gallon	Ext. Dim. W*D*H mm	Int. Dim. W*D*H mm	No. of Shelves	Door Type	Order No.	Approval	Compliance
7	555*520*740	472*437*593	1	Single door/manual close	M1007Y-1	FM	NFPA, OSHA
				Single door/self close	S1007Y-1		
7	555*520*570	472*437*423	1	Single door/manual close	M1007Y-2	FM	NFPA, OSHA
				Single door/self close	S1007Y-2		
10	705*520*740	622*437*593	1	Single door/manual close	M1010Y-1	FM	NFPA, OSHA
				Single door/self close	S1010Y-1		
10	705*520*570	622*437*423	1	Single door/manual close	M1010Y-2	FM	NFPA, OSHA
				Single door/self close	S1010Y-2		
11	855*520*740	772*437*593	1	Double door/manual close	M2011Y-1	FM	NFPA, OSHA
				Double door/self close	S2011Y-1		
11	855*520*570	772*437*423	1	Double door/manual close	M2011Y-2	FM	NFPA, OSHA
				Double door/self close	S2011Y-2		
22	1415*520*740	1332*437*593	1	Double door/manual close	M2022Y-1	FM	NFPA, OSHA
				Double door/self close	S2022Y-1		
22	1415*520*570	1332*437*423	1	Double door/manual close	M2022Y-2	FM	NFPA, OSHA
				Double door/self close	S2022Y-2		
22	1115*520*740	1032*437*593	1	Double door/manual close	M2022Y-3	FM	NFPA, OSHA
				Double door/self close	S2022Y-3		
22	1115*520*570	1032*437*423	1	Double/manual close	M2022Y-4	FM	NFPA, OSHA
				Double/self close	S2022Y-4		

Gas Cylinder Cabinets

Built-in casting aluminum alloy U-shaped holder and adjustable nylon straps. Ideal to fix all kinds of gas cylinders. Slip steel ramp plate facilitates the cylinders up and down.

- FM Approvals certified, comply with NFPA & OSHA regulations.
- Heavy-duty steel construction.
- Lead-free epoxy powder coating finish.
- Double wall construction with 38mm air space efficiently isolates from combustion.
- 3-point self-latching doors with all non-spark latching.
- Paddle handle locking latch.
- 1.2mm cold-rolled continuous piano hinge.
- Adjustable zinc plated leveling feet.
- Dual 2" vents with caps and flame arrester placed at both side of cabinets.
- Large warning label.
- Static grounding wire (UL listed).
- 2 inch deep leak-tight containment sump.
- Option: red and blue colors.



Aluminum alloy U-shaped holder with adjustable nylon straps. Ideal to fix all kinds of gas cylinders.

Capacity gallon	Ext. Dim. W*D*H mm	Int. Dim. W*D*H mm	No. of Shelves	Door Type	Order No.	Approval	Compliance
45	1090*460*1720	1007*377*1573	-	Double door/manual close	M2045Y-G	FM	NFPA, OSHA
				Double door/self close	S2045Y-G		

Drum Cabinets

Specific to the storage of Horizontal drum and Vertical drum.

- FM Approvals certified, comply with NFPA & OSHA regulations.
- Heavy-duty steel construction.
- Lead-free epoxy powder coating finish.
- Double wall construction with 38mm air space efficiently isolates from combustion.
- 3-point self-latching doors with all non-spark latching.
- Paddle handle locking latch.
- 1.2mm cold-rolled continuous piano hinge.
- Adjustable zinc plated leveling feet.
- Dual 2" vents with caps and flame arrester placed at both side of cabinets.
- Large warning label.
- Static grounding wire (UL listed).
- 2 inch deep leak-tight containment sump.
- Option: red and blue colors.



Horizontal



Vertical

Capacity gallon	Ext. Dim. W*D*H mm	Int. Dim. W*D*H mm	No. of Shelves	Door Type	Order No.	Approval	Compliance
55	760*1220*1220	677*1137*1073	-	Double door/manual close	M2055Y-H	FM	NFPA, OSHA
				Double door/self close	S2055Y-H		
55	860*860*1720	777*777*1573	1	Double door/manual close	M2055Y-V	FM	NFPA, OSHA
				Double door/self close	S2055Y-V		

Vent-Filtration Box

YAKOS65™ Vent-Filtration® Box allows you to filter out chemical vapors inside of a safety cabinet and returns clean air back to the workplace via a unique standalone system.

Built-in an excellent energy efficiency brushless DC blower and widely used filters for most of solvents and chemical. It serves as an air purification system for most of chemical safety cabinet on the market.

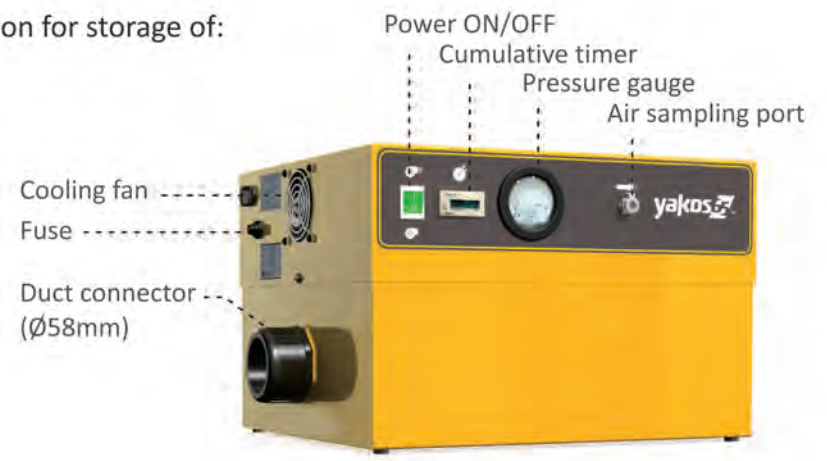
Effectively reduce the concentration of chemical solvent vapors inside the cabinet and provide the best protection for laboratory personnel.



APPLICATIONS

Flexible cabinet ventilation for storage of:

- Flammable chemicals
- Paints, ink
- Corrosive chemicals
- Pesticides
- Toxic materials



MAIN FEATURES

- Capture toxic vapors, odors and smells generated by chemicals stored in a safety or chemical cabinet.
- Protection of chemical inhalation risks.
- Simple and fast installation.
- No exhaust ductwork needed.
- Fits to most of available flammables safety cabinets on the market.
- Ultra-low energy consumption of 20 watts.

Model:ECD-027-AA-A

1. Construction : SECC galvanized steel with epoxy powder coating
2. Overall dimensions : 440*380*290mm
3. Filter : Active coal filter for most of solvent, organic vapor removal
4. Airflow : 60 m³/h (3.54 CFM)
5. Noise : <55 dBA
6. Hose : Stainless steel, 60cm, flexible
7. Power consumption : 20 watt
8. Power voltage/Hz : 88 ~ 264 VAC / 47 ~ 63 Hz
9. Air sampling port : Sampling access to allow the filter saturation to be tested
10. Shipping weight : 20 kg
11. Shipping dimensions : 700*460*300 mm
12. Accessories :
 - Pressure gauge(0 ~ 25 mmAq) X 1
 - Operation manual X 1
 - Flexible duct length:60cm(Ø58mm) X 1
 - Duct connector(Ø58mm) X 2
 - AC power cord(1.2meter) x 1
 - Active coal filter X 2



Aerosol Storage Cages

Aerosol cans are widely used for delivering personal-care products, paints, lubricants, insectrepellent, gardening and automotive goods to consumers. Aerosol cans are pressurized containers and classified as Dangerous Goods under Class 2, with a listed international reference number of UN1950.

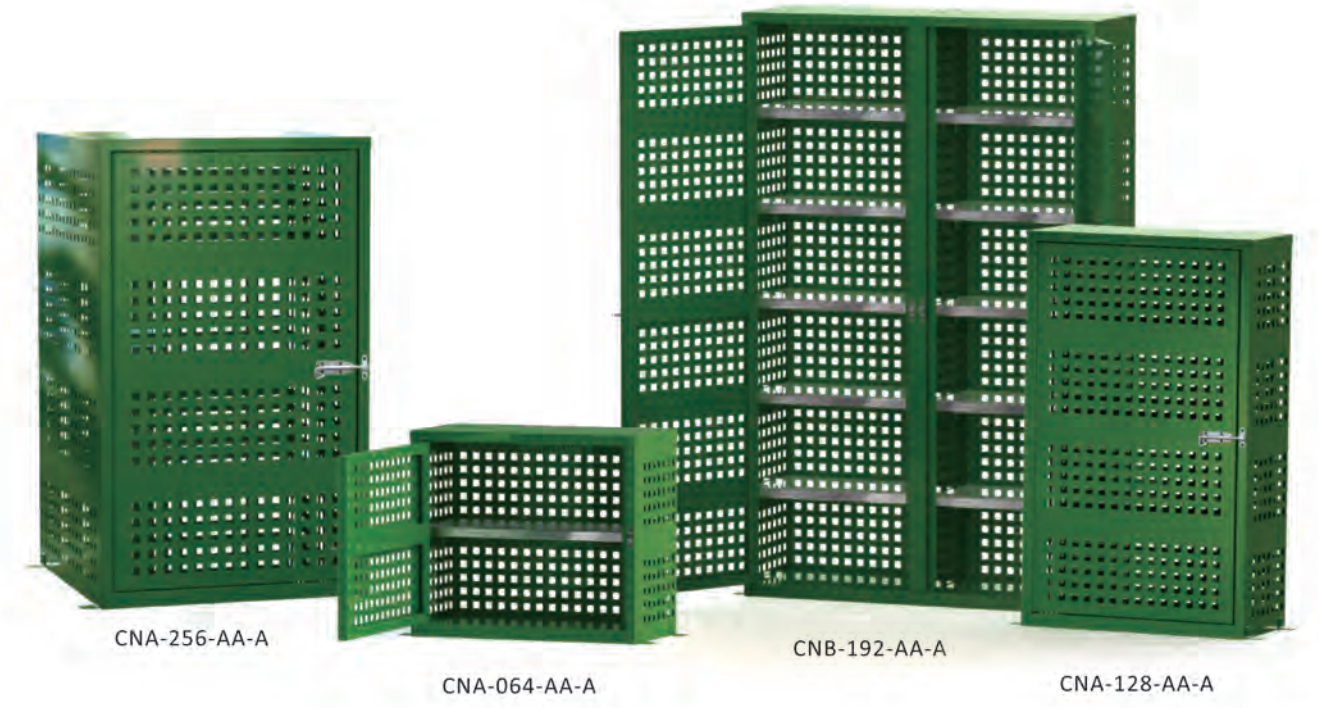
All aerosol cans present a significant hazard in workplaces and in society because of the compressed gas used as a propellant. When exposed to fire, aerosol cans will either violently rupture or produce burning jets of flame. It is very important to store aerosol cans safely.

YAKOS65™ Aerosol Storage Cages range from 100 up to 420 aerosol cans (66mm diameter, 245mm height) depending on cage model. They are constructed from heavy duty, powder-coated steel, robust and easy to operate.

YAKOS65™ aerosol storage cages feature high open area perforations which deliver natural ventilation, and all appropriate warning and safety signs is included. Bolt down plates allow the cage to be permanently fixed for added security and all doors can be locked using the padlock lug (padlocks are not supplied). Safely store up to 420 aerosol spray cans in this heavy duty, powder-coated steel aerosol storage cage.



- Heavy-duty, green powder-coated steel construction.
- Suitable for storage of up to 420 aerosol cans (66mm diameter, 245mm height)
- Solid steel roof and floor with mesh wall panels to provide wide open area perforations deliver natural ventilation.
- Robust, lightweight and easy to operate.
- Door can be locked using the padlock lug (padlock not supplied).
- Bolt down plates enable the cage to be permanently fixed to the ground for added security.
- Includes appropriate warning and safety signs.
- All aerosol can cages are supplied with a Class 2 Flammable Gas warning sign.



Model No.	Ext. Dimensions(mm)	Door #	Shelf #	Capacity
CNA-064-AA-A	W700xD400xH600	1	1	100 cans
CNA-128-AA-A	W700xD400xH1160	1	3	200 cans
CNA-256-AA-A	W700xD750xH1160	1	3	400 cans
CNB-192-AA-A	W1100xD400xH1720	2	10	420 cans

Emergency Information Cabinet

SALES REFERENCE



For more detailed information, please visit YAKOS65 website at www.yakos65.com and contact with our local distributors.

YAKOS65's responsibility is to provide customers with comprehensive solutions. Please let us know what you are looking for so that we can process your inquiry as quickly and efficiently as possible.

A Safety Data Sheet (SDS), Material Safety Data Sheet (MSDS), or Product Safety Data Sheet (PSDS) is an important component of product stewardship, occupational safety and health, and spill-handling procedures. MSDS formats can vary from source to source within a country depending on national requirements.

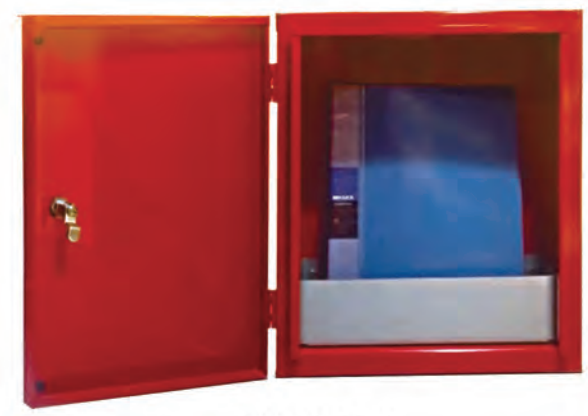
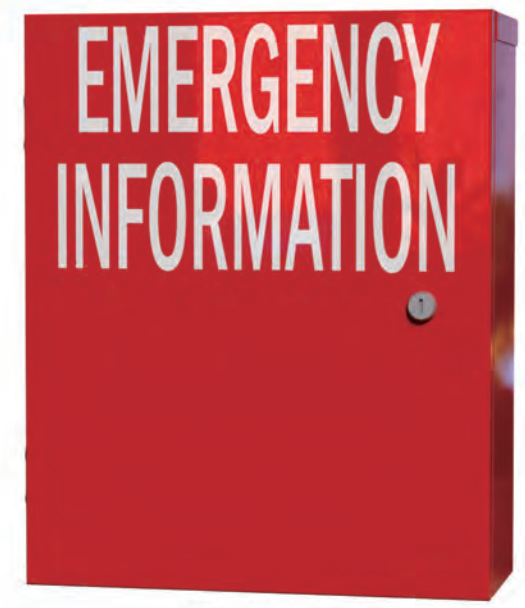
MSDS is a widely used system for cataloging information on chemicals, chemical compounds, and chemical mixtures. MSDS information may include instructions for the safe use and potential hazards associated with a particular material or product.

The MSDS should be available for reference in the area where the chemicals are being stored or in use. An Emergency Information Cabinet keeps these important documents secure and readily available to users whilst protecting them from moisture and dirt.



FEATURES

- Store important documents or emergency information, such as MSDS.
- Large or small, two sizes available. Enough for MSDS binder.
- Manufactured from high-visibility red powder-coated steel construction.
- Large "EMERGENCY INFORMATION" label in white lettering.
- Lockable, rain-proof (weatherproof).



CLA-035-AA-A

CLA-050-AA-A

Model No.	Width	Depth	Height
CLA-035-AA-A	350 mm	150 mm	425 mm
CLA-050-AA-A	500 mm	156 mm	600 mm